

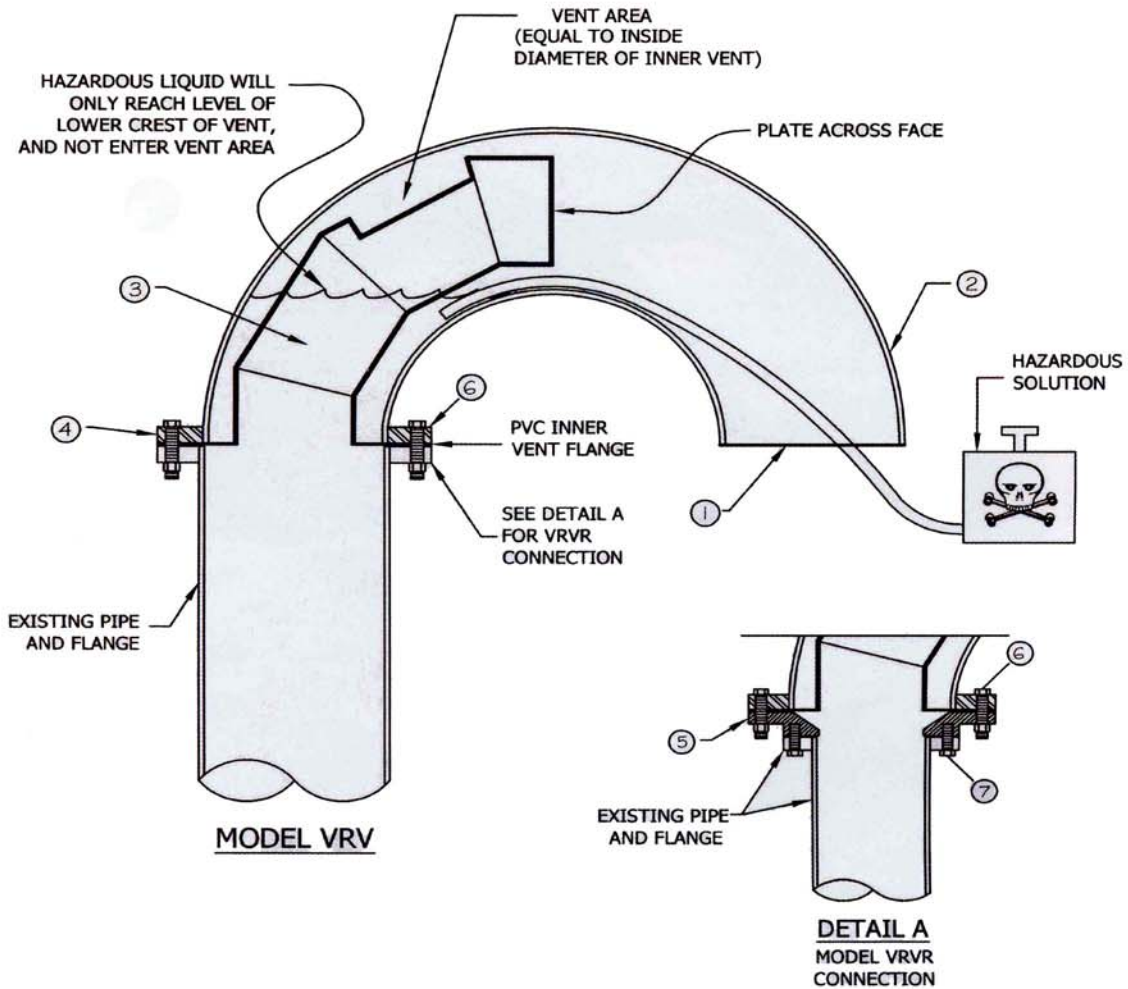


Secure your water storage reservoir with the Vandal Resistant Vent



VANDAL RESISTANT VENT

(FOR WATER RESERVOIRS & OTHER WATER STORAGE UNITS WITH VENTS)



MODEL INFORMATION					MATERIAL LIST		
MODEL #	Inner Vent Diameter	Outer Vent Diameter	Fig. Conn. Size	Weight	Part Number	Description Of Item	Material
Model VRV-4	4	8	8"	115	1	Bird Screen	Carbon Steel
Model VRV-6	6	10	10"	211	2	Outer Vent	Carbon Steel
Model VRV-8	8	12	12"	305	3	Inner Vent	Polyvinylchloride
Model VRVR-4	4	8	4" or 6"	148	4	150 lb. Flange	Carbon Steel
Model VRVR-6	6	10	6" or 8"	260	5	Reducer Flange	Carbon Steel
Model VRVR-8	8	12	8" or 10"	370	6	Hex Head Bolt & Nut	Carbon Steel
					7	Hex Head Bolt	Carbon Steel

Note: Other sizes available upon request.

Note: Stainless Bolts Are Available Upon Request.